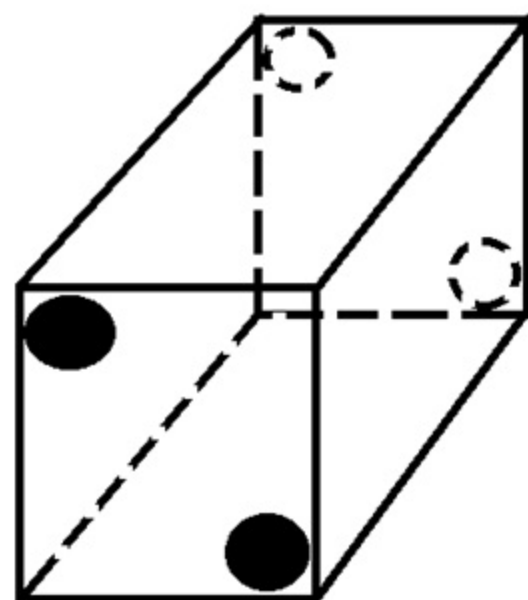
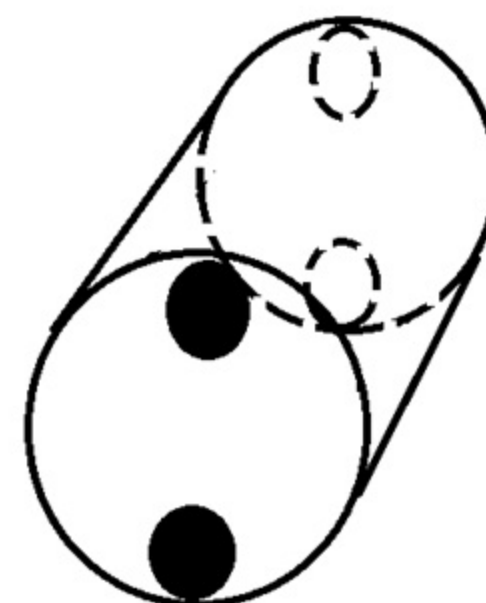


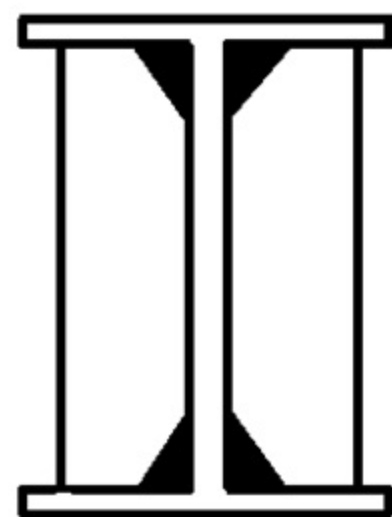
## Vent hole / snipe chart



<u>SECTION</u>	<u># Holes</u>	<u>Hole Diam mm</u>
50X50	2	10
75X50	2	12
75X75	2	16
89X89	2	20
100X100	2	20
125X125	2	24
150X150	2	30
200X200	2	40
250X250	2	50

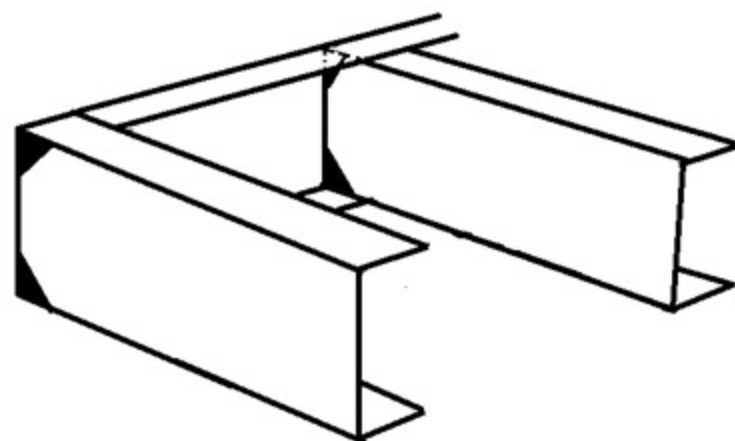


<u>OD</u>	<u># Holes</u>	<u>Hole Diam mm</u>
50	2	10
80	2	12
100	2	12
125	2	16
150	2	20
250	2	30
300	2	40
400	2	50



### ANGLE, CHANNELS, BEAMS AND COLUMNS

<u>SECTION</u>	<u>SIZE</u>	<u>SNIPE SIZE</u>
PFC	UP TO 125mm	15X15mm
PFC	125-250mm	20X20mm
PFC	ABOVE 250mm	30X30mm
UB	UP TO 250mm	20X20mm
UB	ABOVE 250mm	30X30mm
UC	UP TO 200mm	20X20mm
UC	ABOVE 200mm	30X30mm



**HARTWAY**  
GALVANIZERS  
*Canning Vale*

**HARTWAY**  
GALVANIZERS  
NAVAL BASE

**Bendigo**  
Metals